

# BRACKET FOR MANIFOLDS



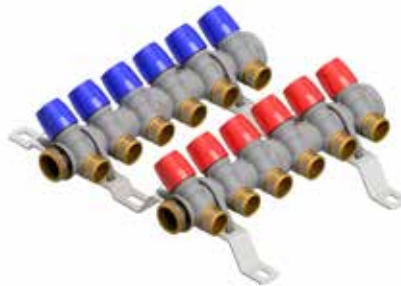
---

**AC0080I05B290A**  
**Bracket for sanitary manifolds**

---

# AC0080I05B290A

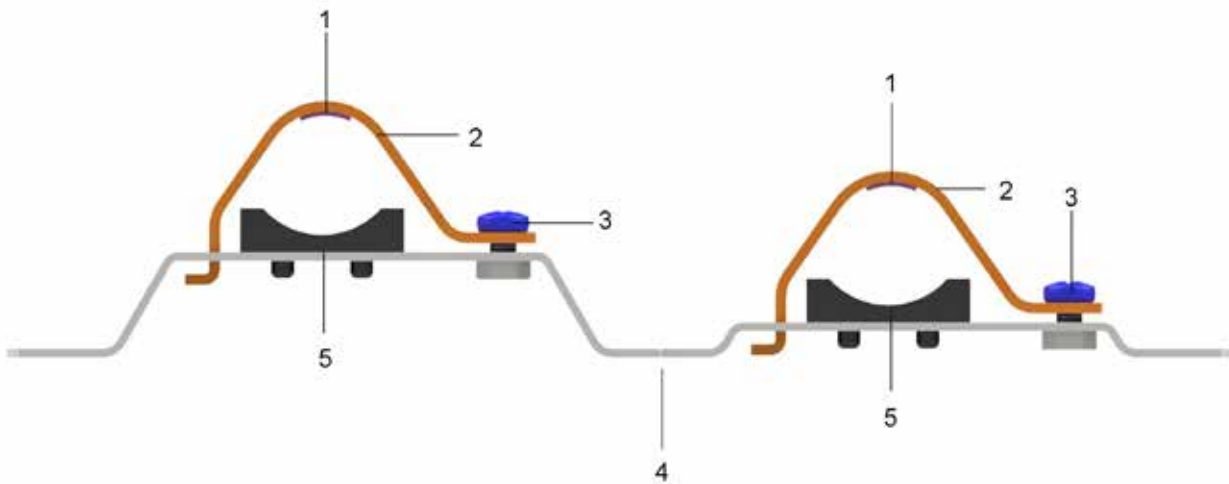
## Bracket for sanitary manifolds



### INTRODUCTION

Our bracket AC0080I05B290A is compatible with General Fittings models 6200.R6, 6200.E7, 6300.E7, 2700.61 e 2700.59. Thanks to its design and features, this bracket is easy, safe and fast to install.

### DETAILS



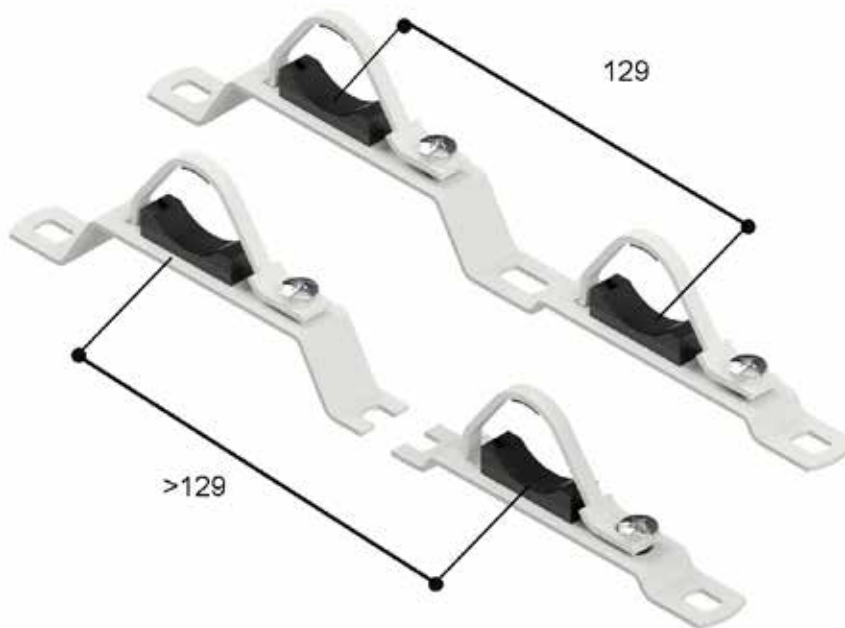
1	Adhesive strip	CR-Neoprene foam
2	Fork	Zinc plated steel
3	Screw	Zinc plated steel
4	Base	Acciaio zincato
5	Holder	EVC rubber

## PLUS

- ✓ Pre-cut shape for single or double use
- ✓ Easy cut without any required tool
- ✓ Fitted with rubber holders to avoid noise and vibrations
- ✓ Compact design (center distance  $\geq 129$  mm)
- ✓ Welded nut to safely hold the manifold
- ✓ Direct wall mounting

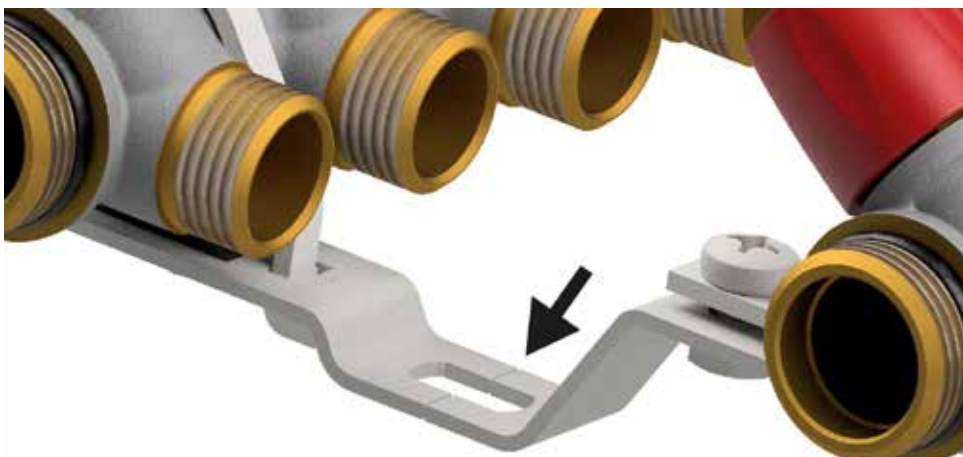
### CENTER DISTANCE

Our bracket could be mounted with a fix center distance of 29 mm or divided to adapt to the required center distance ( $>129$  mm).



### PRE CUT DESIGN

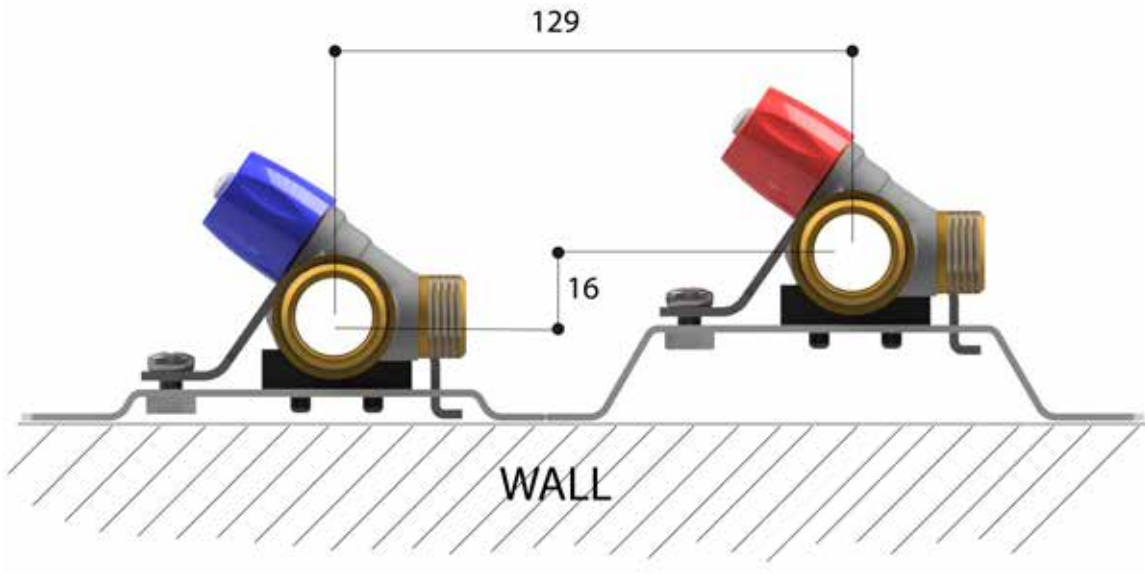
Our bracket has a special pre-cut design allowing to break it easily without any required tool.



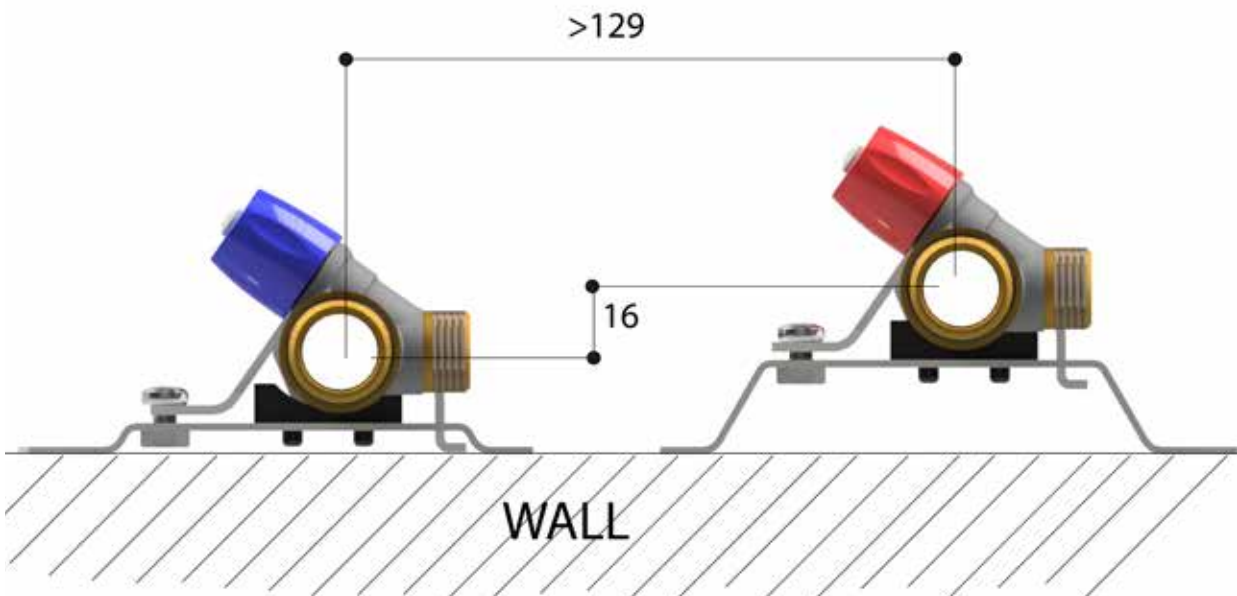
**DIRECT WALL MOUNTING**

Example with center distance 129 mm.

The bracket can be directly mounted on the wall without any interference with the fixing components



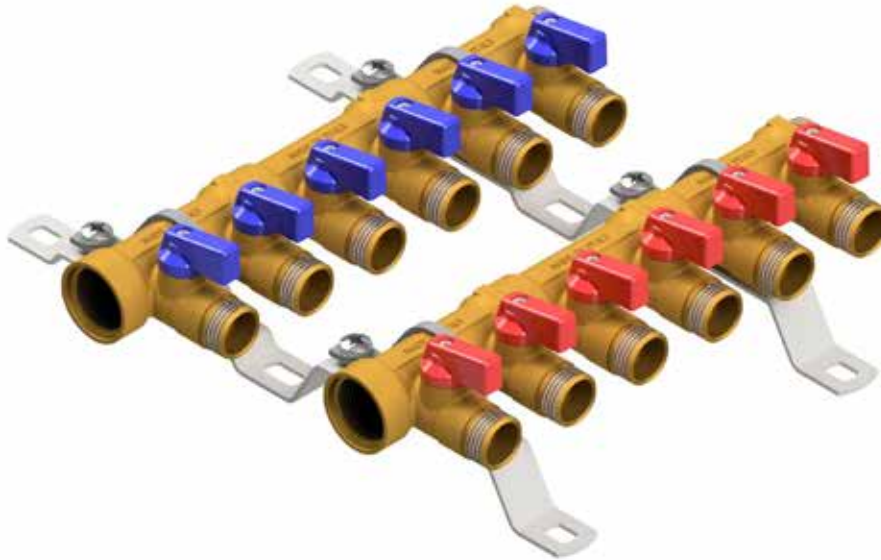
Example with center distance bigger than 129 mm



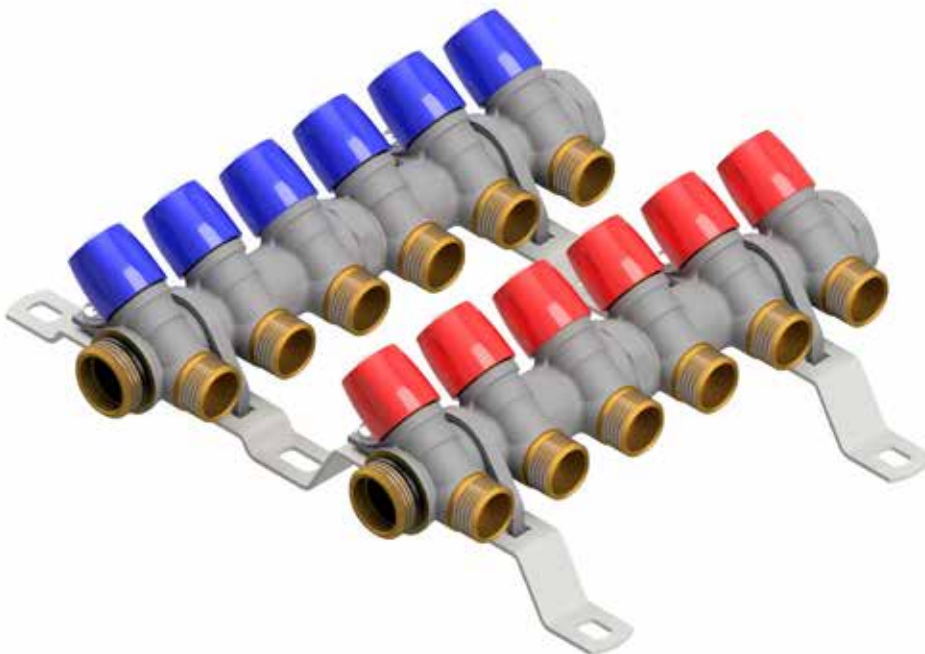
## COMPATIBILITY

This bracket has a wide compatibility with our manifolds of the range 6200.R6 size 3/4", range 6200.E7 , 6300.E7, range 2700.61 e 2700.59.

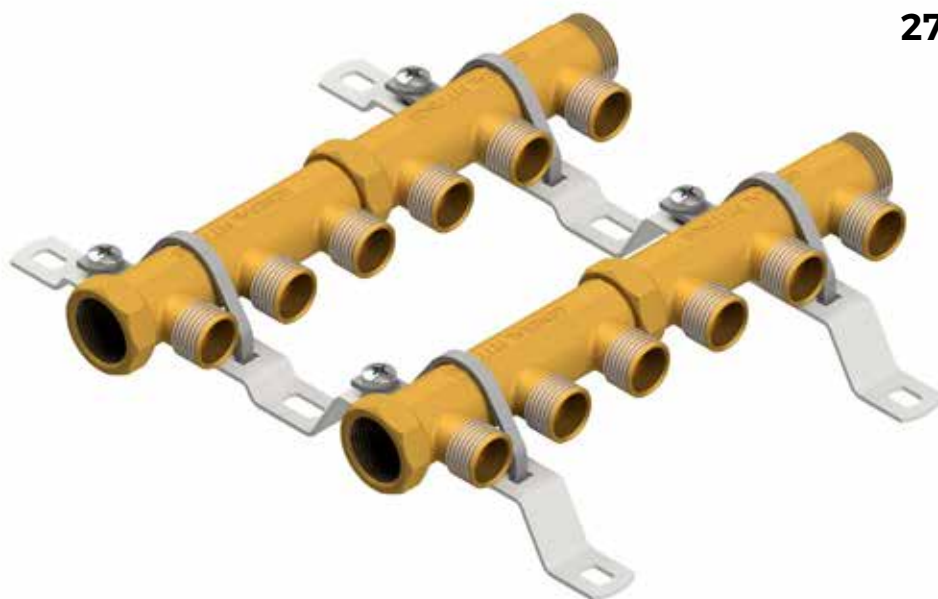
**6200.R6**



**6200.E7  
6300.E7**



**2700.61**  
**2700.59**



**DOUBLE OR SINGLE USE**

The special pre-cut design give the possibility to have a single or double installation.



### VIBRATIONS AND NOISE REDUCTION SYSTEM

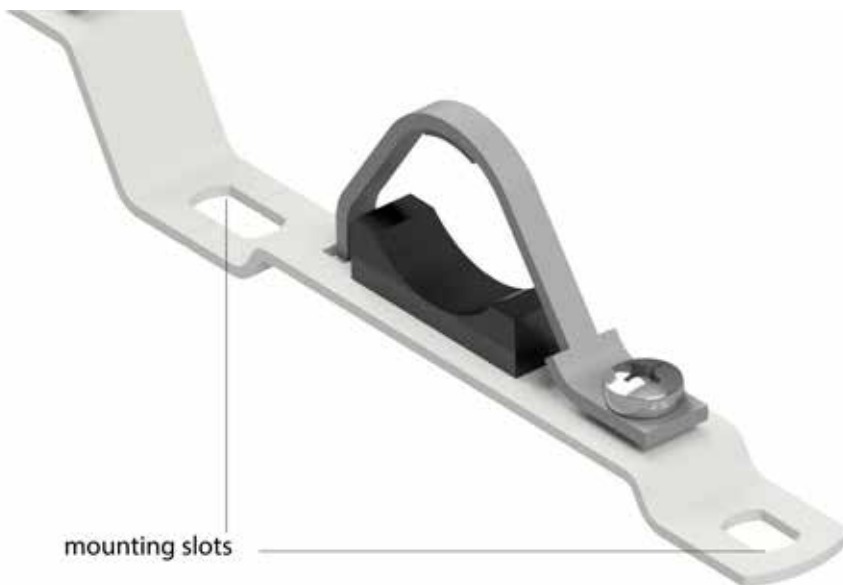
The top adhesive strip and the rubber holder are granting a perfect assembly of the manifold reducing noise and vibrations. The welded nut allows a proper tightness of the manifold body



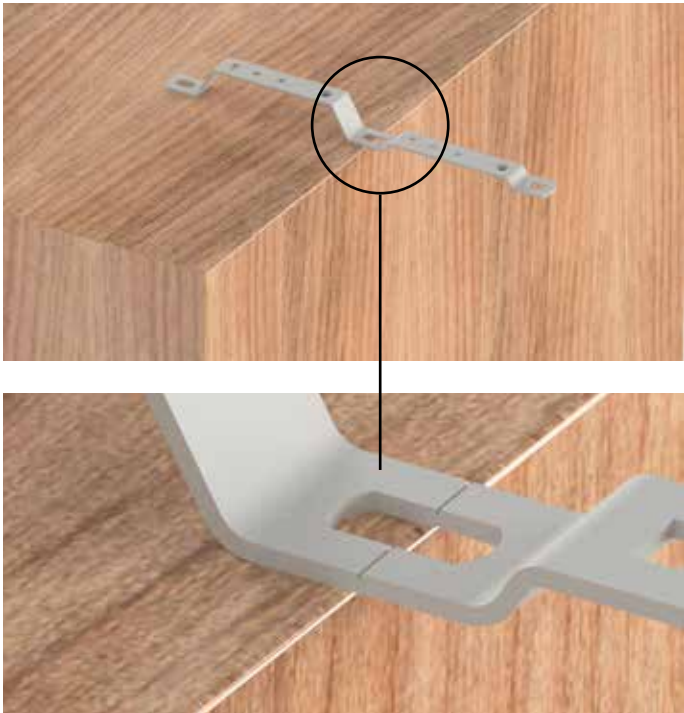
1	Adhesive strip
2	Rubber Holder
3	Welded nut

### MOUNTING SLOTS

Direct wall mounting thanks to the slots on the base.



1.



Lay the bracket on a flat surface. Align the cut to the edge to allow bending the bracket.

2.



Bend the bracket downward.



**3.**



Bend the bracket upward.

**4.**



Repeat operations 2 and 3 till the bracket is completely divided into two pieces.



General Fittings Spa  
Via Golgi, 73/75  
25064 Gussago (BS) ITALY  
Tel. +39 030 3739017  
P.IVA 03448140172 - C.F. 01613110178  
[www.generalfittings.it](http://www.generalfittings.it)