



FLEXUS 90°

FLEXUS 90° data sheet

Self-aligned manifolds with O-Ring

Contents

DESCRIPTION	3
ADVANTAGES	3
FIELDS OF APPLICATION	5
DESTINATION LABELS	5
DOUBLE O-RING SEAL	5
COMPONENTS AND MATERIALS	6
6200.R8-6300.R8-6400.R8-6200.RP: SCREW COMPONENTS AND MATERIALS	7
6200.R8: CONNECTION GUIDE	8
6200.RP: CONNECTION GUIDE	10
6300.R8: CONNECTION GUIDE	12
6400.R8: CONNECTION GUIDE	14
6200.R8 DIMENSIONS	15
6200.RP DIMENSIONS	16
6400.R8 DIMENSIONS	17
6300.R8 DIMENSIONS	18
CERTIFICATIONS	19
REGULATIONS	19

Self-aligned manifolds with O-Ring

FLEXUS 90°



DESCRIPTION




FLEXUS 90° manifolds are suitable for heating and sanitary water distribution. Self-aligning and the O-Ring grant the aligning of the coupled manifolds without using any additional means, such as teflon tape or hemp. Flexus manifolds are suitable for sanitary, heating and cooling installations. Their configuration allows the realization of hot and/or cold circuits in parallel.

ADVANTAGES

- Self-aligning granting the correct and quick aligning of the coupled manifolds
- Perfectly tight: thanks to the O-Ring the coupling is tight without using any additional means, such as Teflon tape or hemp, for a faster installation
- No need to use hemp or other sealants
- Double O-ring seal for improved tightness
- Thanks to the screw made of 3 brass components, the knob moves on its axis of rotation without changing its height position in relation to the manifold
- "Gravity casting" body
- Available with valves (with destination labels), with 3/4" or 1" inlet and 1/2", 3/4"EK, 24x19 outlets
- Raw materials complying with UBA LIST
- Suitable for plastic, metal and metal-plastic pipes
- The front position of the knob allows easy access and good maneuvering convenience
- Encumbrances reduction
- Constant center distance 45 mm
-

Suitable for drinking water

FIELDS OF APPLICATION

APPLICATIONS	T. min.	T. max	T.of the system	Max. pressure
 hot sanitary water	-20°C	+120°C	-20°C +95°C	10 bar
 cooling	-20°C	+120°C	-20°C +95°C	10 bar
 radiators	-20°C	+120°C	-20°C +95°C	10 bar

-20°C: only with antifreeze liquid (glycol) in % max of 30%

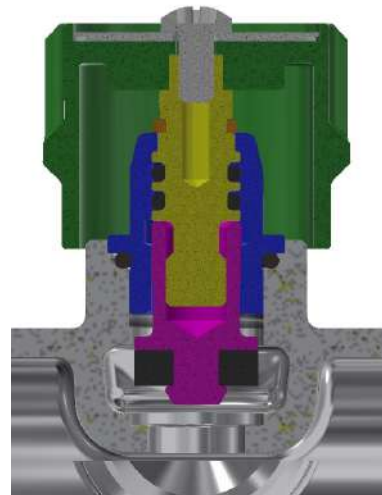
DESTINATION LABELS

Flexus 90° manifolds are supplied with hot/cold water (red/blue) and zone of use identification labels.

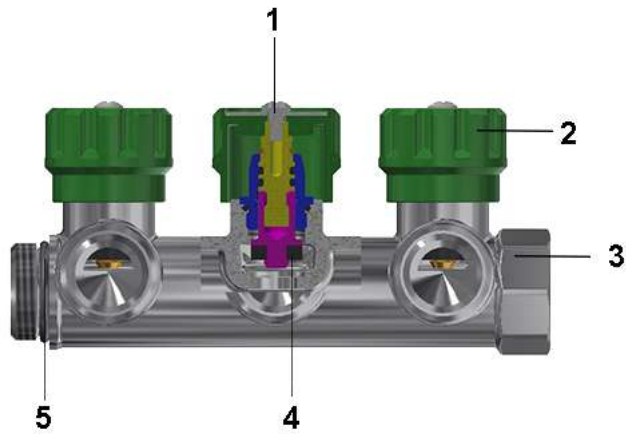







DOUBLE O-RING SEAL

FLEXUS 90° manifolds are characterised by the presence of a double O-Ring seal on the manoeuvring rod that guarantees a greater hydraulic seal, an additional O-Ring to guarantee a seal between the screw and the manifold body, and a flat gasket that allows the fluid to be intercepted once the knob has been screwed shut.

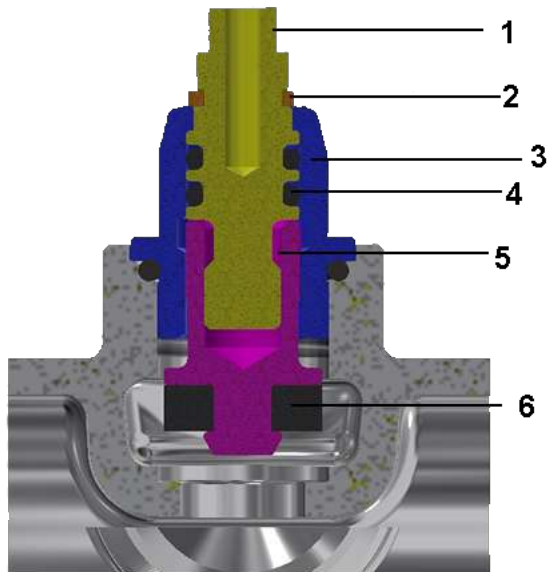








COMPONENTS AND MATERIALS



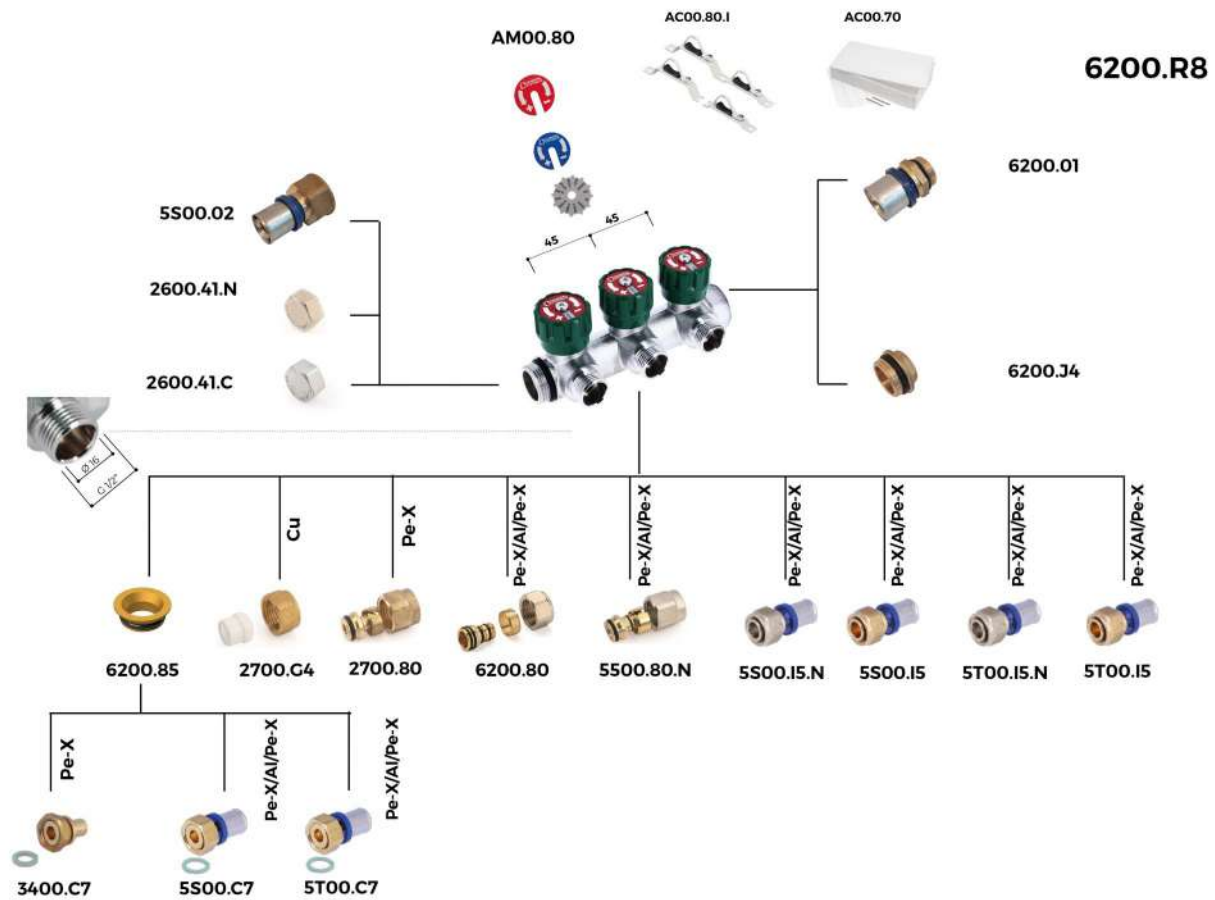
LEGEND		COMPONENTS	MATERIALS
	1	Screw	Steel CB4F
	2	Knob	ABS
	3	Body	CB753S-UNI EN 1982:2000
	5	Self-seal O-Ring	Elastomer for drinking water
	4	Flat gasket	Elastomer for drinking water

6200.R8-6300.R8-6400.R8-6200.RP: SCREW COMPONENTS AND MATERIALS



LEGEND	COMPONENTS	MATERIALS
 1	Top stem	Brass CW617N - UNI EN 12164
 2	Stop fork	Phosphor bronze
 3	Body	Brass CW617N - UNI EN 12164
 4	O-Ring	Elastomer for drinking water
 5	Bottom stem	Brass CW617N - UNI EN 12164
 6	Flat gasket	Elastomer for drinking water

6200.R8: CONNECTION GUIDE



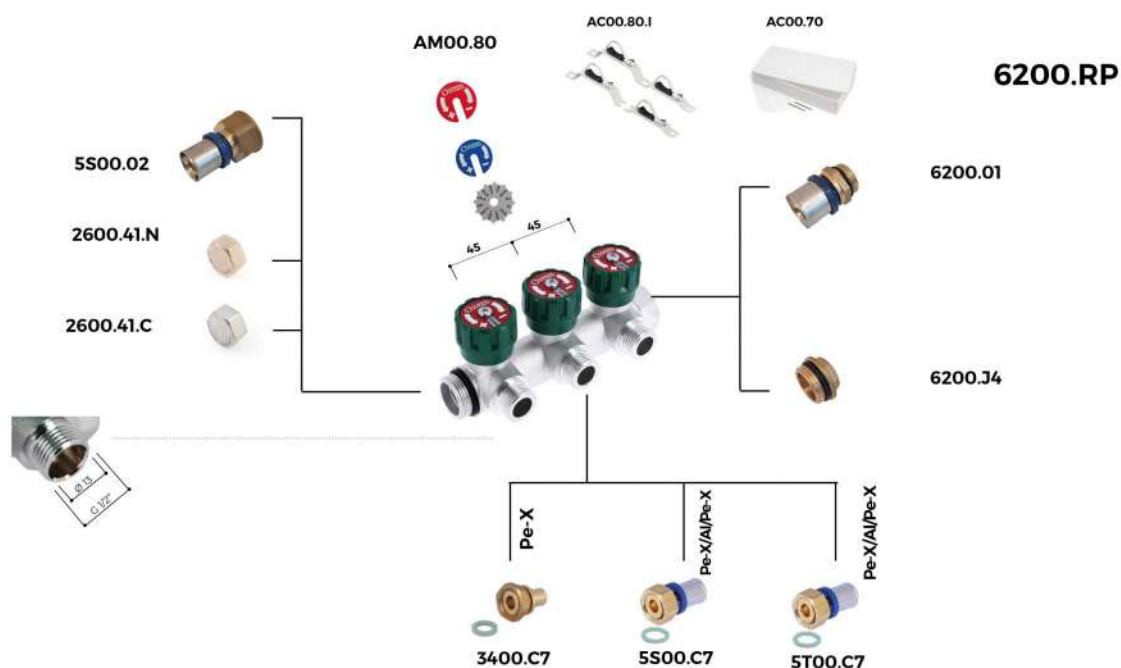
INSERTS AND FITTINGS

CODE	DESCRIPTION	PIPE
AM00.80	Destination label	
AC00.80.I	Bracket for Flexus manifolds	
AC00.70	Manifold cabinet	
6200.85	Flat seal adapter	
2700.G4	Nut and monocone P.T.F.E	copper pipe
2700.80	Nut, olive and insert	Pe-X pipe
6200.80	Nickel-plated nut, olive and insert	multilayer pipe
5500.80.N	Nickel-plated nut, olive and insert	multilayer pipe
5500.I5	Straight fitting with loose nut and eurocone	multilayer pipe

INSERTS AND FITTINGS

5T00.I5	Straight fitting with loose nut and eurocone	multilayer pipe
5S00.I5.N	Nickel plated straight fitting with loose and eurocone	multilayer pipe
5T00.I5.N	Nickel plated straight fitting with loose and eurocone	multilayer pipe
3400.C7	Straight fitting with loose nut and flat washer	Pe-X pipe
5S00.C7	Straight fitting with loose nut and flat washer	multilayer pipe
5T00.C7	Straight fitting with loose nut and flat washer	multilayer pipe
6200.01	Male straight fitting with O-Ring	
5S00.02	Female straight fitting	
2600.41.C	Tappo femmina cromato	
2600.41.N	Tappo femmina nichelato	
6200.J4	Male cap with O-Ring	

6200.RP: CONNECTION GUIDE



INSERTS AND FITTINGS

CODE	DESCRIPTION	PIPE
AM00.80	Destination label	
AC00.80.I	Bracket for Flexus manifolds	
AC00.70	Manifold cabinet	
6200.01	Male straight fitting with O-Ring	
5S00.02	Female straight fitting	
2600.41.C	Tappo femmina cromato	
2600.41.N	Tappo femmina nichelato	
6200.J4	Male cap with O-Ring	
3400.C7	Straight fitting with loose nut and flat washer	Pe-X pipe
5S00.C7	Straight fitting with loose nut and flat washer	multilayer pipe

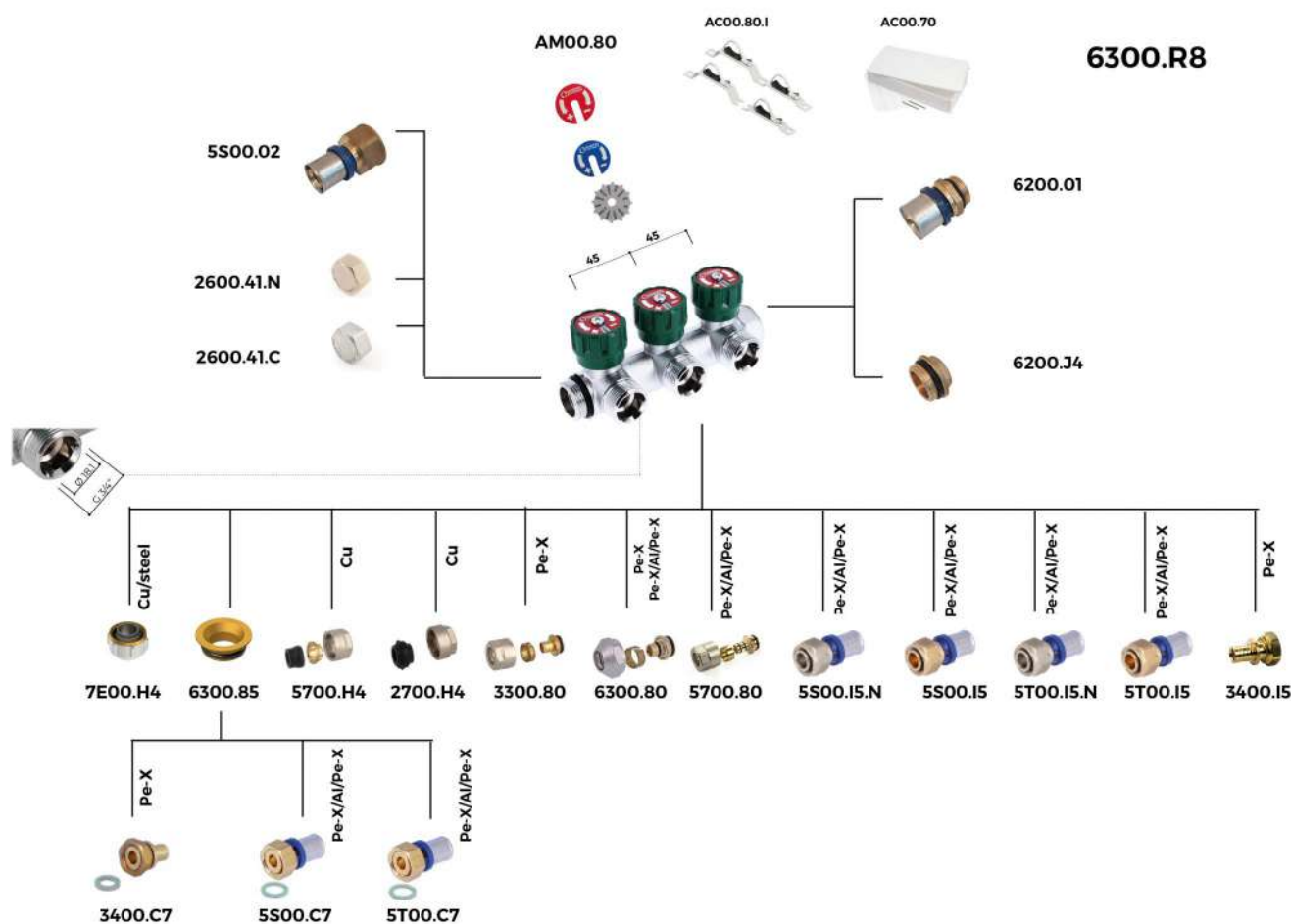
INSERTS AND FITTINGS

5T00.C7

Straight fitting with loose
nut and flat washer

multilayer pipe

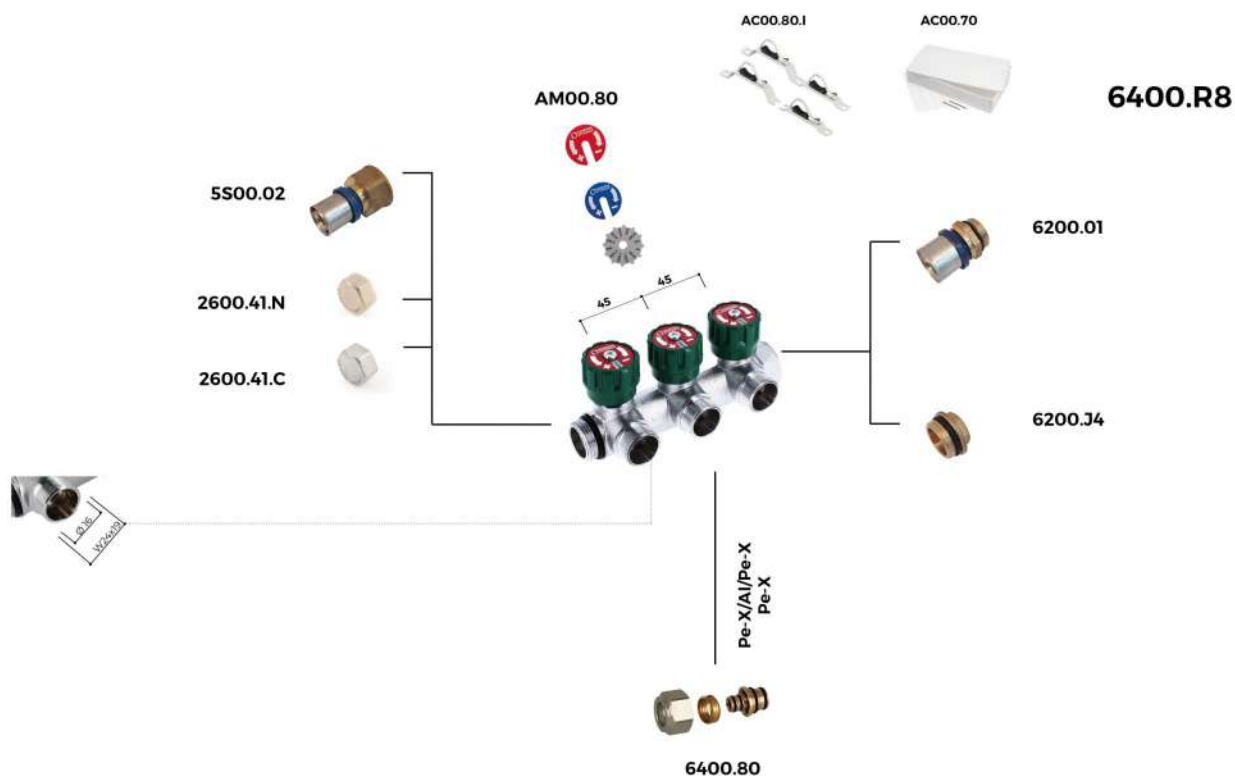
6300.R8: CONNECTION GUIDE



3400.I5	Straight fitting with loose nut and eurocone	Pe-X pipe
INSERTS AND FITTINGS		
CODE	DESCRIPTION	PIPE
AM00.80	Destination label	
AC00.80.I	Bracket for Flexus manifolds	
AC00.70	Manifold cabinet	
7E00.H4	Eurocone kit	copper and steel pipe
6300.85	Flat seal adapter	Pe-X pipe 5500.C7: tubo multistrato
5700.H4	Nickel plated nut with assembled ring and gasket	copper pipe
2700.H4	Nickel plated nut with assembled ring and gasket	copper pipe

3300.80	Nickel plated nut, olive and insert eurocone	Pe-X pipe
5700.80	Nickel plated nut, olive and insert eurocone	multilayer pipe
6300.80	Nickel plated nut, olive and insert eurocone	multilayer pipe, Pe-X pipe (only for Ø17)
5S00.15	Straight fitting with loose nut and eurocone	multilayer pipe
5T00.15	Straight fitting with loose nut and eurocone	multilayer pipe
5S00.15.N	Nickel plated straight fitting with loose and eurocone	multilayer pipe
5T00.15.N	Nickel plated straight fitting with loose and eurocone	multilayer pipe
3400.C7	Straight fitting with loose nut and flat washer	Pe-X pipe
5S00.C7	Straight fitting with loose nut and flat washer	multilayer pipe
5T00.C7	Straight fitting with loose nut and flat washer	multilayer pipe
6200.01	Male straight fitting with O-Ring	
5S00.02	Female straight fitting	
2600.41.C	Chrome-plated female cap	
2600.41.N	Nickel plated female cap	
6200.J4	Male cap with O-Ring	

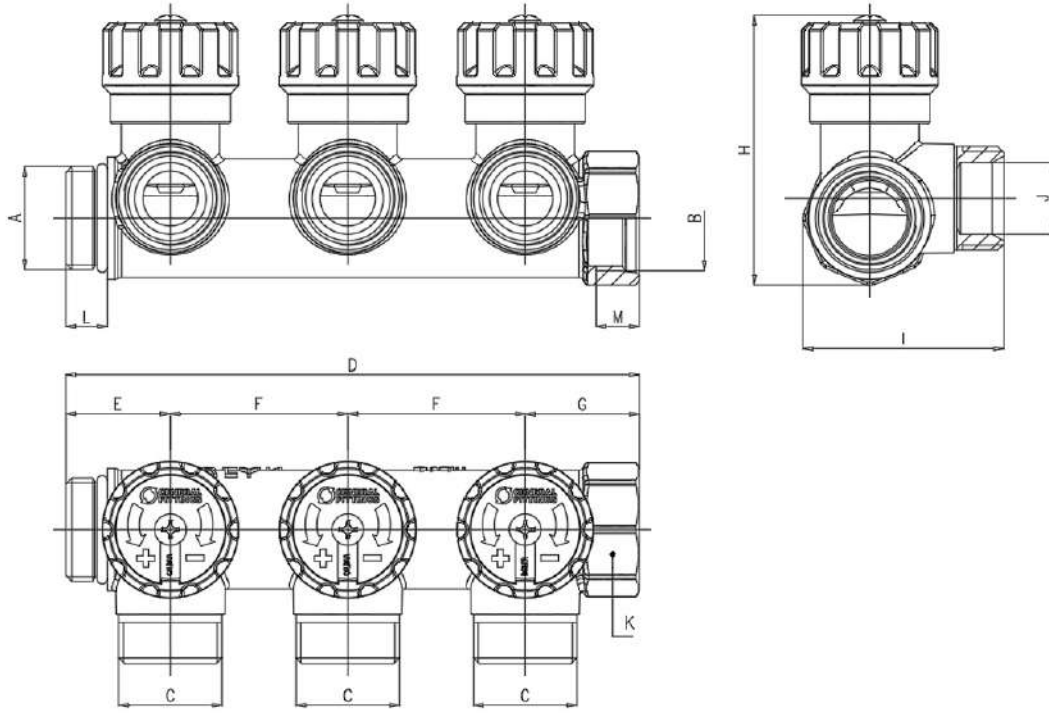
6400.R8: CONNECTION GUIDE



INSERTS AND FITTINGS

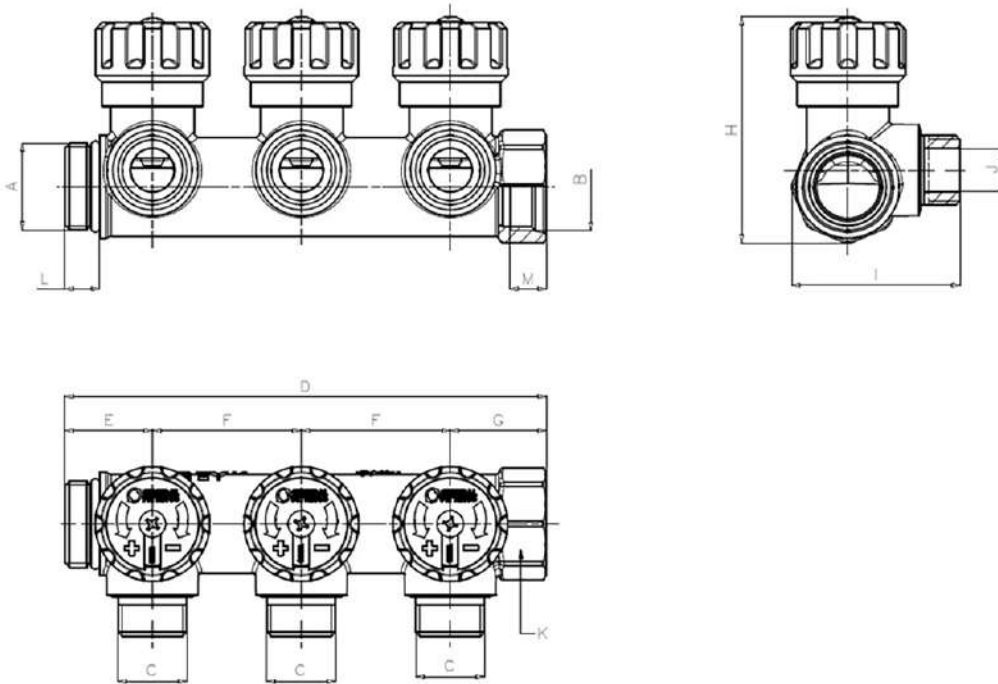
CODE	DESCRIPTION	PIPE
AM00.80	Destination label	
AC00.80.I	Bracket for Flexus manifolds	
AC00.70	Manifold cabinet	
6200.01	Male straight fitting with O-Ring	
5S00.02	Female straight fitting	
2600.41.C	Tappo femmina cromato	
2600.41.N	Tappo femmina nichelato	
6200.J4	Male cap with O-Ring	
6400.80	Pipe adapter with chrome plated nut, olive and insert	multilayer pipe; Pe-X pipe

6200.R8 DIMENSIONS



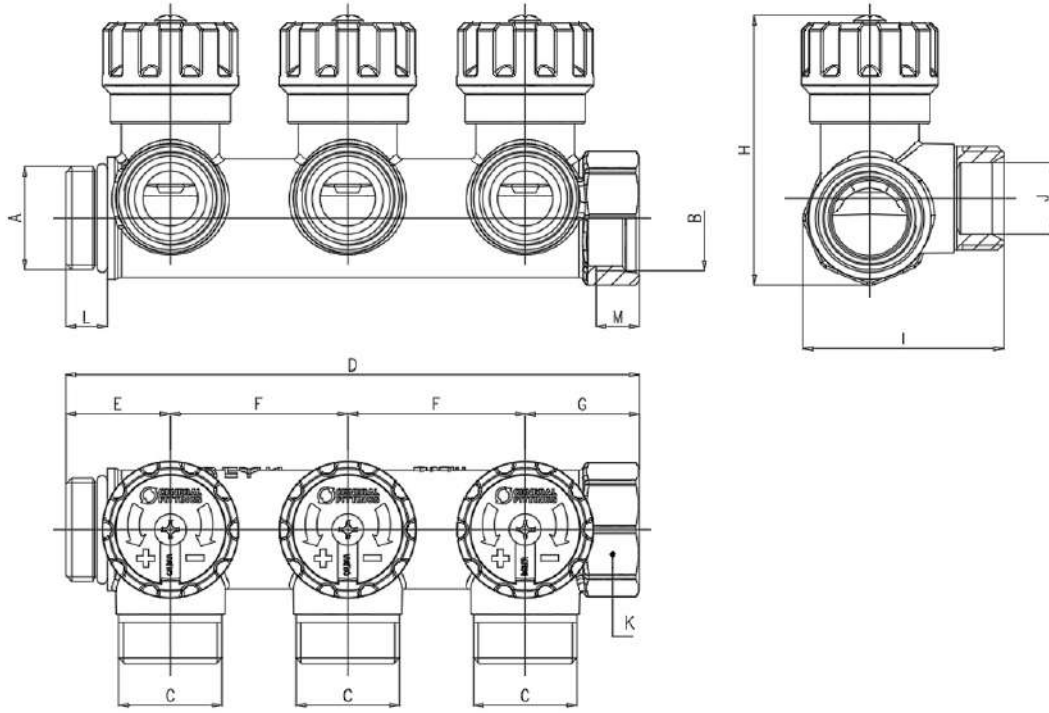
CODE	A	B	C	D	E	F	G	H	I	K	J	L
6200R8C0504V2A	G 3/4"		G 1/2"	100.5	26.5	45	29	68	51	32	Ø16,2 5	10.5
6200R8C0504V3A	G 3/4"		G 1/2"	145.5	26.5	45	29	68	51	32	Ø16,2 5	10.5
6200R8C0504V4A	G 3/4"		G 1/2"	190.5	26.5	45	29	68	51	32	Ø16,2 5	10.5
6200R8C1004V2A	G 1"		G 1/2"	102	27	45	30	73	57	39	Ø16,2 5	12
6200R8C1004V3A	G 1"		G 1/2"	147	27	45	30	73	57	39	Ø16,2 5	12
6200R8C1004V4A	G 1"		G 1/2"	193	27	45	31	73	57	39	Ø16,2 5	12

6200.RP DIMENSIONS



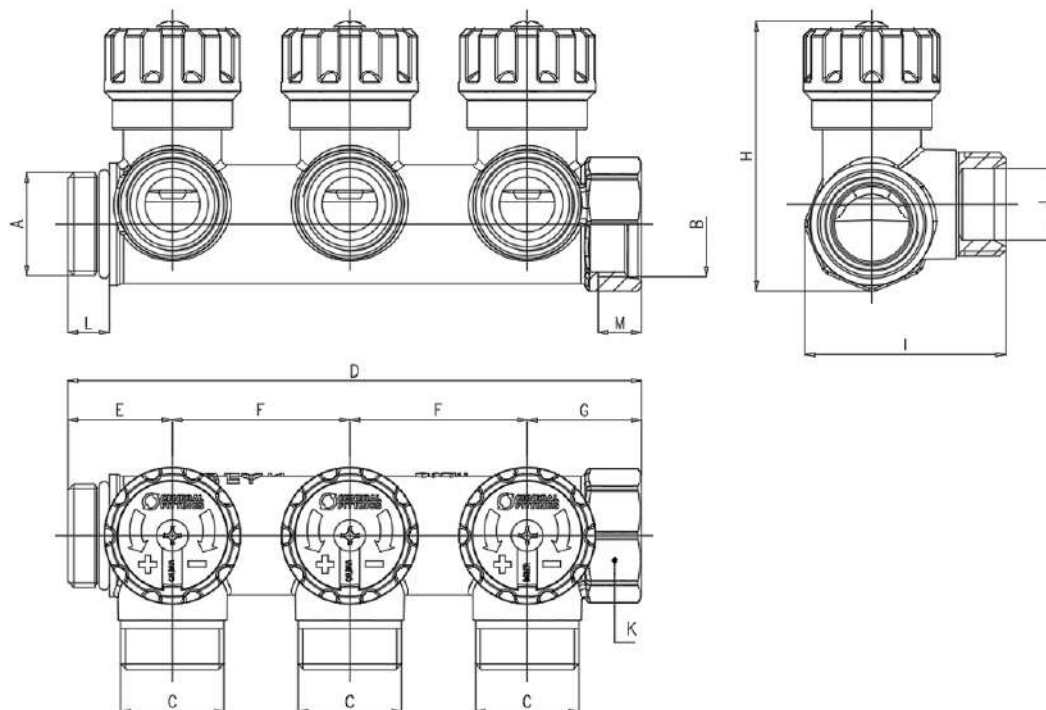
CODE	A	B	C	D	E	F	G	H	I	K	J	L
6200RPC0504V2A	G 3/4"		G 1/2"	100.5	26.5	45	29	68	51	32	Ø13	10.5
6200RPC0504V3A	G 3/4"		G 1/2"	145.5	26.5	45	29	68	51	32	Ø13	10.5
6200RPC0504V4A	G 3/4"		G 1/2"	190.5	26.5	45	29	68	51	32	Ø13	10.5
6200RPC1004V2A	G 1"		G 1/2"	102	27	45	30	73	57	39	Ø13	12
6200RPC1004V3A	G 1"		G 1/2"	147	27	45	30	73	57	39	Ø13	12
6200RPC1004V4A	G 1"		G 1/2"	193	27	45	31	73	57	39	Ø13	12

6400.R8 DIMENSIONS













CODE	A	B	C	D	E	F	G	H	I	K	J	L
6400R8C0524V2A	G 3/4"		W24x 19	100.5	26.5	45	29	68	51	32	Ø16,2	10.5
6400R8C0524V3A	G 3/4"		W24x 19	145.5	26.5	45	29	68	51	32	Ø16,2	10.5
6400R8C0524V4A	G 3/4"		W24x 19	190.5	26.5	45	29	68	51	32	Ø16,2	10.5
6400R8C1024V2A	G 1"		W24x 19	102	27	45	30	73	57	39	Ø16,2	12
6400R8C1024V3A	G 1"		W24x 19	147	27	45	30	73	57	39	Ø16,2	12
6400R8C1024V4A	G 1"		W24x 19	193	27	45	31	73	57	39	Ø16,2	12

6300.R8 DIMENSIONS



CODE	A	B	C	D	E	F	G	H	I	K	J	L
6300R8C0505V2A	G 3/4"			100.5	26.5	45	29	68	51	32	Ø18,1	10.5
6300R8C0505V3A	G 3/4"			145.5	26.5	45	29	68	51	32	Ø18,1	10.5
6300R8C0505V4A	G 3/4"			190.5	26.5	45	29	68	51	32	Ø18,1	10.5
6300R8C1005V2A	G 1"		G 3/4"	102	27	45	30	73	57	39	Ø18,1	12
6300R8C1005V3A	G 1"		G 3/4"	147	27	45	30	73	57	39	Ø18,1	12
6300R8C1005V4A	G 1"		G 3/4"	193	27	45	31	73	57	39	Ø18,1	12

CERTIFICATIONS

COUNTRY	CERTIFICATION	COUNTRY	CERTIFICATION
			
			
			

S

REGULATIONS

- UNI EN ISO 228-1:2003

Threads complies with UNI EN ISO 228-1:2003 law: "Piping thread for coupling not with tightness on the thread"

- EN ISO 1254 part 2,3,4

Copper and copper alloys - Plumbing fittings

- Comply with 4MS, UBA List (BC group), DIN 50930/6 Dir. 2011/65/UE, 6C attachment III (RhOSII).

Copper and copper alloys - Plumbing fittings

- Comply with 4MS, UBA List (BC group), DIN 50930/6 Dir. 2011/65/UE, 6C attachment III (RhOSII).



GENERAL FITTINGS SPA

Via Golgi 73/75, 25064 Gussago (BS) - ITALY

te. +39 030 3739017

www.generalfittings.it