

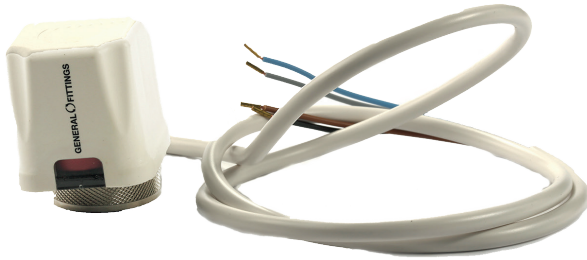
MANIFOLDS

6500.89  
**ELECTROTHERMIC CONTROL**



# 6500.89

## ELECTROTHERMIC CONTROL



### INTRODUCTION

Electric actuators, ON-OFF type, to be mounted on the fluid shut-off devices (radiator valves, manifolds for heating and/or air conditioning systems). It is not possible to replace the power supply cable of this device; if the cable is damaged, the control device should be discarded.

### TECHNICAL DATA

Type of load controlled by the external circuit: 700 mA / 250V~ (a.c.) (only for actuator with built-in Microswitch).

- Type of action: Modulating; Type 1.B for Microswitch
- Pollution rating: Pollution grade 2
- Rated pulse voltage: 4 kV
- Type of movement: Linear movement
- Max. actuator stroke: 3.5 mm
- Working stroke on valve: 2.5 mm
- Rated voltage:
  - 230Vac (+10% -15%)
- Frequency: 50 to 60 Hz
- Absorbed power: 1,8W-230V
- Initial movement time: ~ 90 seconds
- Marking: CE according to
  - EN 60730-1 + EN 60730-2-14
  - EN 55014-1 + EN 55014-2 + 55104
- Degree of protection against ingress of water: according to EN 60529
- Electrical protection class: Class II
- Plastic materials: Flame retardant UL94-V0-V2
- Ambient temperature range: 0°C up to 50°C during use
- Storage temperature range: -25°C up to 60°C
- Mechanical connection: threaded ring nut M30x1,5

## APPLICATIONS

Operation is of the ON-OFF type, normally controllable via room thermostat. In the version with microswitch (4-wire) a contact, is provided normally closed (version NC), with the actuator not energized, having a max. applicable load of 700 mA inductive and 3A resistive.

## OPERATION

### Normally closed version (NC)

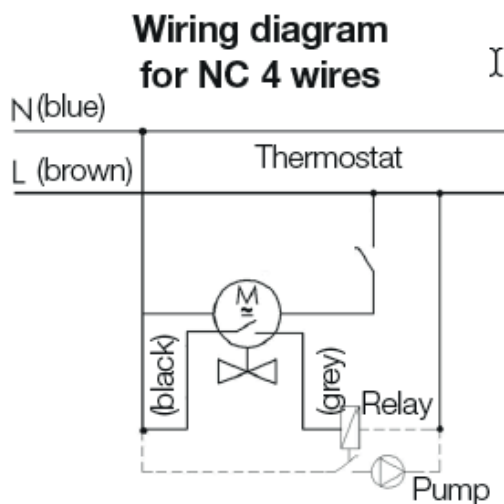
When mounting the actuator on the valve body, the valve plug shuts off the flow of fluid. When voltage is applied a linear movement of the thermostatic element is caused the valve plug opens which then allows the fluid to flow. When the voltage is removed, the valve plug is closed again.

Red = valve plug closed - Black = valve plug open

## ASSEMBLY

1. remove the protective cap, if present, or handwheel from the valve
2. screw-in the actuator ring nut by hand on the threaded part of the valve body and lock it
3. connect the wires to the electrical equipment

WARNING NEVER OPEN THE ACTUATOR BODY CASING EVEN OF FAILURE, AS THIS COULD CAUSE INJURY





General Fittings Spa  
Via Golgi, 73/75  
25064 Gussago (BS) ITALY  
Tel. +39 030 3739017  
P.IVA 03448140172 - C.F. 01613110178  
[www.generalfittings.it](http://www.generalfittings.it)