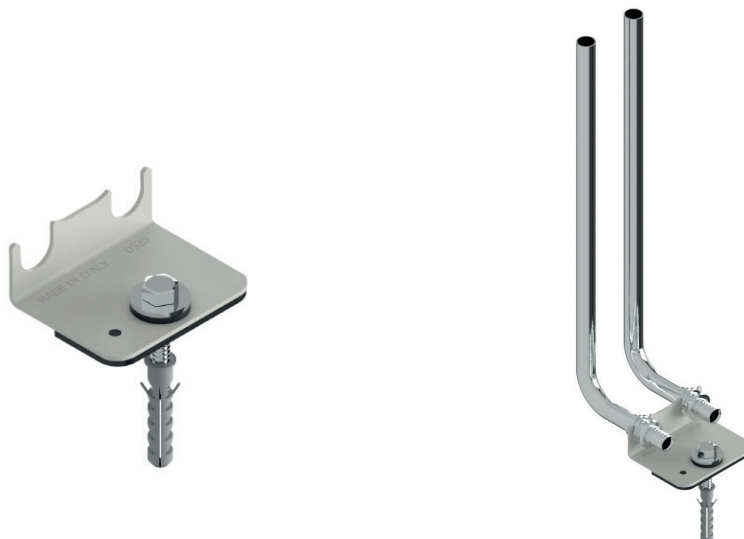




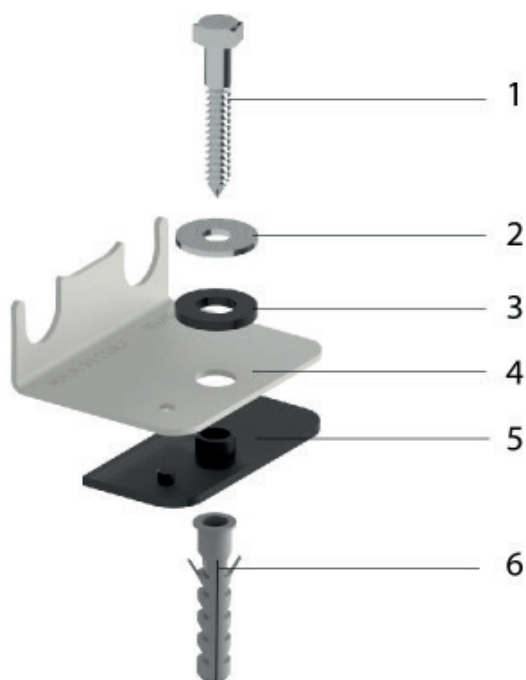
AC0090H3400K2H
**Fixing bracket for
L-shape radiator tubes**

AC0090H3400K2H

Fixing bracket for L-shape radiator tubes



DETAILS



1	Anchor Bolts	Zinc plated steel
2	Fixing washers	Zinc plated steel
3	Washer (Vibration and noise reduction)	Plastic PA6
4	Bracket	Zinc plated steel
5	Support (Vibration and noise reduction)	Plastic PA6
6	Gusset	Plastic

ADVANTAGES

- ✓ Noise reduction
- ✓ Vibration reduction
- ✓ Stable and safe floor fixing
- ✓ Fix center distance of 50 mm

COMPATIBILITY

The bracket is compatible with General Fittings article 3400.K2 (L-shape radiator tubes and specifically with the codes:

CODE	SIZE	THICKNESS	
3400K2I161500A	16x15/250	2.2	steel pipe
3400K2I161510A	16x15/1000	2.2	steel pipe
3400K2N161500A	16x15/250	2.2	copper pipe
3400K2N161550A	16x15/500	2.2	copper pipe
3400K2N161510A	16x15/1000	2.2	copper pipe
3400K2N201500A	20x15/250	2.8	copper pipe



Also, for connection purposes, it can be used with the following items:

- **7E00H4N051500A** (NICKEL PLATED EUROKONUS ADAPTER FOR COPPER AND STEEL PIPE)



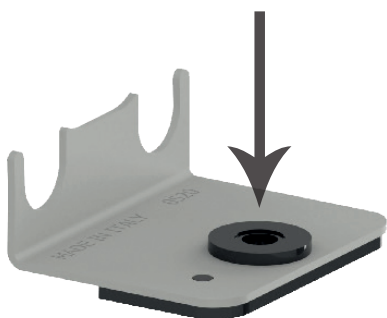
- **5700H4N051500A** (NICKEL-PLATED NUT WITH RING AND GASKET FOR COPPER PIPE)



ASSEMBLY



Insert the noise reduction support into the bracket.



Fasten the noise reduction washer to the seat on the support in order to lock the three elements in a single block.



Fit the L-shape radiator tube 3400.K2 to the bracket.



Cut the copper / steel tubes perpendicularly to the desired length, paying attention to the part of the tube that fits into the Eurocone seat of the H valve.



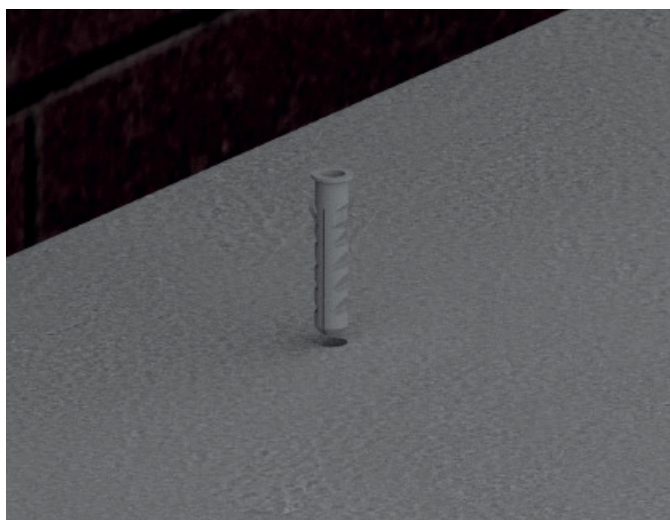
*Detail of the tube cutting area.
The cut of the tube must be perpendicular and must not have burrs.*



Insert the connection kits 5700H4N051500A (for copper pipe) or 7E00H4N051500A (for copper / steel pipe) on the pipes and 3400.K2 items in the Eurocone seats of the H valve.



Manually screw the connection kits and mark the fixing point of the bracket with a pencil or marker.



Unscrew the connection kit, remove the pipes and drill the fixing hole of the floor bracket. Insert the gusset into the hole made in the floor.



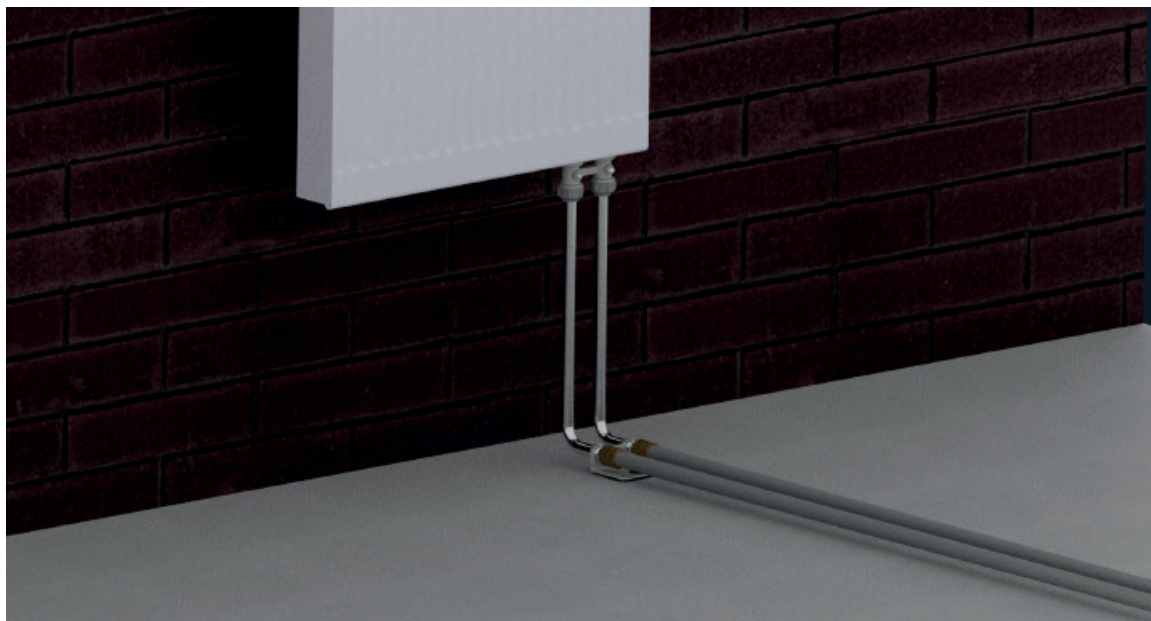
Engage the 3400.K2 items again in the Eurocone seats of the H valve and manually tighten the kits 5700H4N051500A or 7E00H4N051500A. Then screw the anchor bolt to the gusset (taking care to put the fixing washer on).



Fix the connection kits 7E00H4N051500A or 5700H4N051500A according to the instructions in their technical data sheets.



Connect to the circuit according to the procedure indicated in the technical data sheet of 3400 range.



Detail of the completed connection (concealed).



Detail of the completed connection (visible).



General Fittings Spa
Via Golgi, 73/75
25064 Gussago (BS) ITALY
Tel. +39 030 3739017
P.IVA 03448140172 - C.F. 01613110178
www.generalfittings.it